



Residential Grid-Tied Inverter Series

PVP5200, PVP4800, PVP4600, PVP3500, PVP2500



PV Powered inverters deliver maximum energy harvest from your PV system with high reliability and world-class efficiency. Significant software integration and a modular design combine to create a scalable platform with fewer components and higher uptime. By employing fewer parts and ensuring those parts are of the highest quality, PV Powered has created a line of residential grid-tied inverters that spend more time generating electricity and less time being repaired. Should repairs become necessary, PV Powered residential inverters are backed by a service reimbursement program unparalleled in the industry and our NABCEP-certified installers offer the best repair and replacement services to get your system back up and running in no time.

Additionally, performance monitoring is available which includes low cost, secure web-based access to your system's status and performance history. With the PVM1010 option, you can maximize your system uptime and protect your solar investment.

Optional Performance Monitoring



FEATURES

- **Highest reliability**
 - Significant software integration versus complex hardware design
 - Lowest part counts and fewest interconnects eliminate common failure points
 - Field-proven with thousands of units installed nationwide
- **Maximum energy yield**
 - Highest CEC efficiencies in the industry
 - No thermal fold back or power de-rating
 - Advanced 5th generation silicon
 - Optional performance monitoring hardware
 - Improved start up, shut down and MPPT algorithms deliver increased energy
- **Easy installation**
 - No neutral required with three wire AC installations meeting the revised UL1741 standard
 - Field-configurable grounding scheme with simple jumper selection
 - 10 knockouts for a variety of conduit routing
 - Enhanced text based display
 - Aluminum anti-corrosive NEMA 3R enclosure
- **Installer-focused support with no special clubs, no answering machine, and always live people to pick up the phone.**
 - Service reimbursement that sets a new standard in compensation
 - PV Powered NABCEP-certified installers can act as service arm and replace the inverter for you*

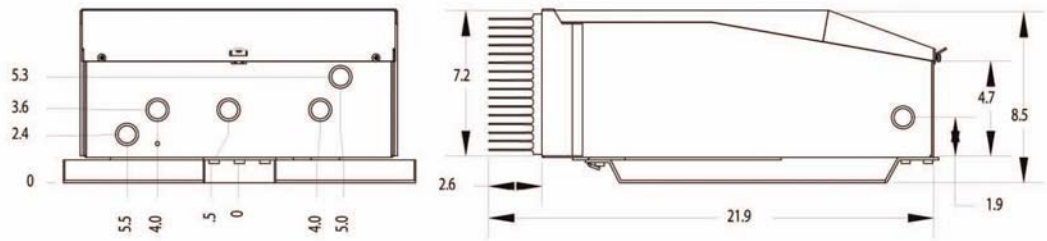
**In designated service zones only*

150 SW Scalehouse Loop
 Bend OR 97702

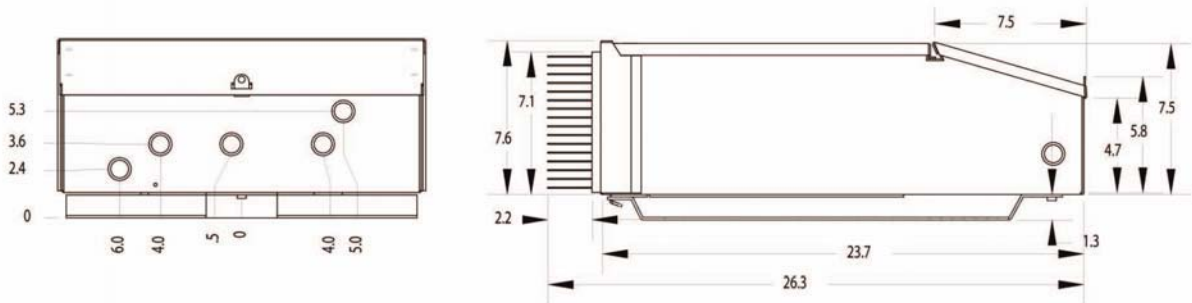
541-312-3832
 WWW.PVPOWERED.COM

DIMENSIONS

PVP2500 & PVP3500



PVP4600, PVP4800, PVP5200



ELECTRICAL SPECIFICATIONS

MODEL	PVP5200	PVP4800	PVP4600	PVP3500	PVP2500
Continuous Output Power (watts)	5200	4800	4600	3500	2500
Weighted CEC Efficiency (%)	96	96	95.5	95.5	94.5
Maximum DC Input Voltage (VOC)	500	500	500	500	500
DC Voltage Operating Range (V)	240-450	200-450	205-450	200-450	140-450
DC Isc Maximum Current (A)	48	48	48	26	26
DC Imp Maximum Current (A)	25	26	25	18	20
AC Nominal Voltage (V)	240	240	208	240	240
AC Operating Range (V)	211-264	211-264	183-229	211-264	211-264
AC Frequency Range (Hz)	59.3-60.5	59.3-60.5	59.3-60.5	59.3-60.5	59.3-60.5
AC Maximum Continuous Current (A)	23	23	23	17	12

MECHANICAL SPECIFICATIONS

MODEL	PVP5200	PVP4800	PVP4600	PVP3500	PVP2500
NEMA 3R (Outdoor Rated) Sealed Aluminum Enclosure	X	X	X	X	X
Wall Mounted with Included Bracket	X	X	X	X	X
Weight (lbs)	135	135	135	85	70

AGENCY APPROVALS

MODEL	PVP5200	PVP4800	PVP4600	PVP3500	PVP2500
UL 1741 Nov 2005 Revision, IEEE 1547 Compliant, FCC Class A & B	X	X	X	X	X

