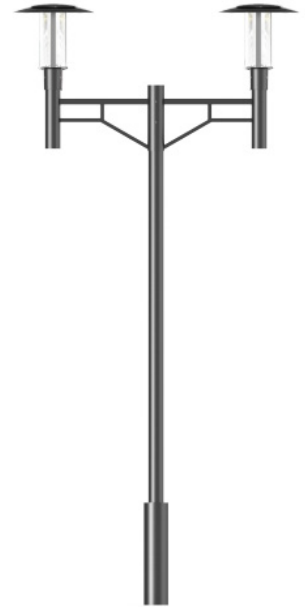


EVO-TP | TOP-POST LIGHT

Project: _____ Type: _____

Name: _____ Date: _____



Size	15.7" L x 15.7 W x 16.8" H	Lumens	5,600lm
Watts	80W	CCT Tunable	3000K-4000K-5000K
Voltage	100-277V	IP Rating	IP65
Dimming	High/Low by Dip switch	Materials	Aluminum, PMMA
Beam Angle	145°	Finish	Black
CRI	≥ 70	Lens	Clear
PF	≥ 0.9	Lifespan	35,000 Hours

OVERVIEW

Tunable: 3000K-4000K-5000K

Applications: IP65

Efficacy: 70-90 lm/W

Dimming: Non-Dimming

LED Type: LUXEON 3030 2D Line

Lens Type: Clear

Driver: Independent research and development

Operating Temp: -40°F to 113°F

Operating Humidity: 10%-65% RH

Lifespan: 35,000 Hours

Warranty: 5 Years

FEATURES

- Protected from the elements with an IP65 rating making it suitable for wet conditions
- Durable aluminum housing protects from wear and tear

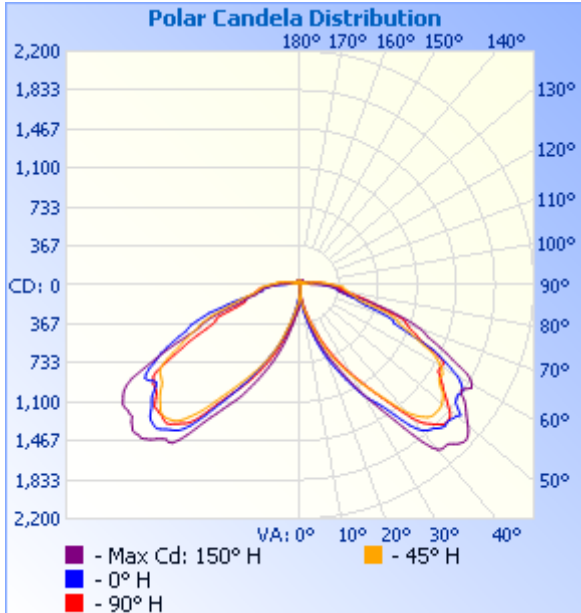
SARIN's LED CCT Top Post Pole Lights are meant to be mounted on top of a round pole or bracket. These lights are safe for outdoor use and protected from rain, snow, and weak jets of water, such as sprinklers.

This light lets you adjust the color temperature between warm white, daylight, and cool white.

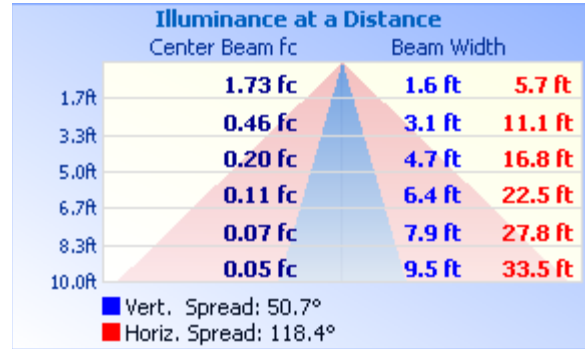


PHOTOMETRICS:

X° Beam Angle: (Polar Candela Dist.)



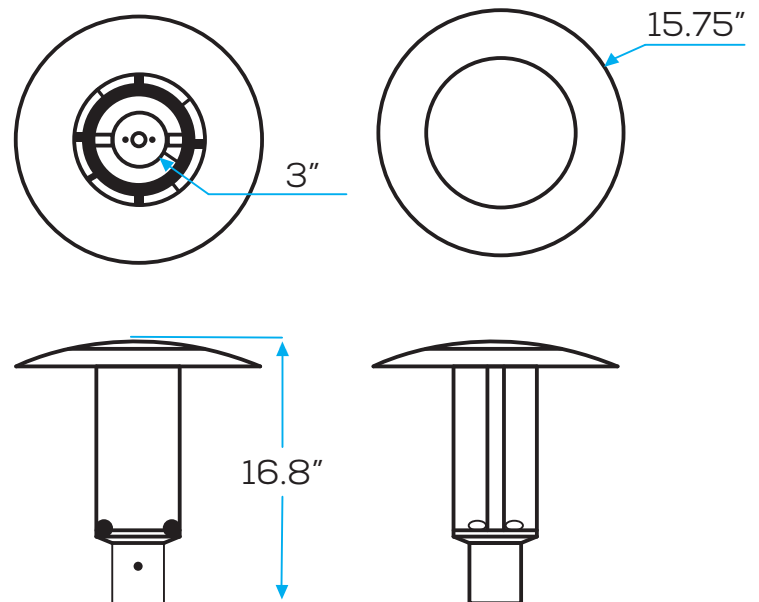
Light Distance: (Illuminance at a Distance)



IMPORTANT SAFEGUARDS:

1. Installation, service and maintenance should be performed by a qualified licensed electrician.
2. Make all electrical and grounded connections in accordance with national electrical code and any applicable local code requirements.
3. Disconnect power at fuse or circuit breaker before installing or servicing.
4. Review the diagrams thoroughly before beginning.
5. Do not mount in hazardous locations, or near gas or electric heaters.
6. Do not let power cords touch hot surfaces.
7. Equipment should be mounted in locations where it will not be subjected to tampering by unauthorized personnel.
8. Do not use equipment for other than its intended use.

DIMENSIONS:



EVO-TP | TOP-POST LIGHT

Project: _____ Type: _____

Name: _____ Date: _____

ORDER FORM:

(*) Special Order/Not Commonly Stocked

Custom Model Assembly

Fixture	CCT	Watts	Beam Angle	Voltage
<input checked="" type="checkbox"/> EVO-TP	<input checked="" type="checkbox"/> Tunable	<input checked="" type="checkbox"/> 80W	<input checked="" type="checkbox"/> 145°	<input checked="" type="checkbox"/> 100-277V

EVO-TP-C-W80- D76
Example Model Number

SES – EVO-TP – Tunable – 80W – 145° – 100-277V

Quantity

Fixture

CCT

Watts

Beam Angle

Voltage

Common Stock Models:

Item #	Model #
11376	EVO-TP-C-W80- D76