

PL2

SLIM SHOEBOX LIGHT

Project: _____ Type: _____

Name: _____ Date: _____



Size	see dimensions	Lumens	11303: 45,000lm 11306: 25,500lm
Watts	150W, 300W	CCT	5700K
Voltage	11303: 120-277V 11306: 100-277V	IP Rating	IP65
Dimming	0-10V	Materials	Aluminum, PC
Beam Angle	Type 3	Finish	Bronze
CRI	70	Lens	Clear
PF	≥ 0.9	Lifespan	50,000 Hours

OVERVIEW

- CCT:** 5700K
- Applications:** IP65
- Efficacy:** 155-170lm/W
- Dimming:** Non-Dimming
- LED Type:** SMD2835
- Lens Type:** Clear
- Driver:** SS-160NH
- Operating Temp:** -40F° to 113F°
- Operating Humidity:** 10%-95%RH
- Lifespan:** 50,000 Hours
- Warranty:** 5 Years

FEATURES

- Mount Options: Slip Fitter Mount & Large Yoke Mount
- Protected from the elements with an IP65 rating making it suitable for wet conditions



SARIN LED Slim Shoebox Lights are commonly used to replace high-pressure sodium and metal halide lights to provide energy savings of up to 70%. These area lights are safe for outdoor use and protected from rain, snow, and weak jets of water, such as sprinklers.

SARIN Slim Shoebox Lights are perfect for stadiums, parks, billboards, parking lots, and office buildings. A photocell sensor allows the light to automatically activate at night. This fixture turns on and off instantly without flickering or humming. The lens has a glare-reduction composition that softens the light and makes it more uniform and safe to the eye.

PL2

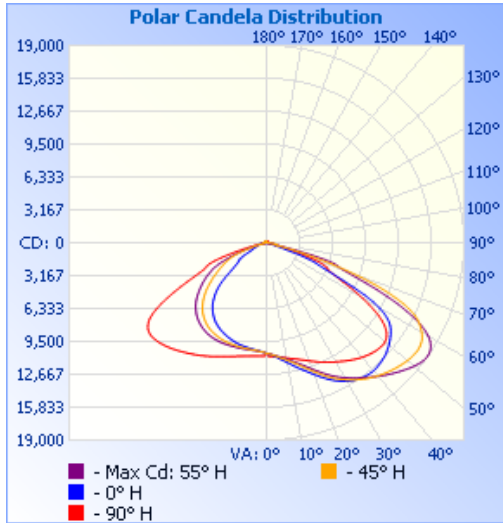
SLIM SHOEBOX LIGHT

Project: _____ Type: _____

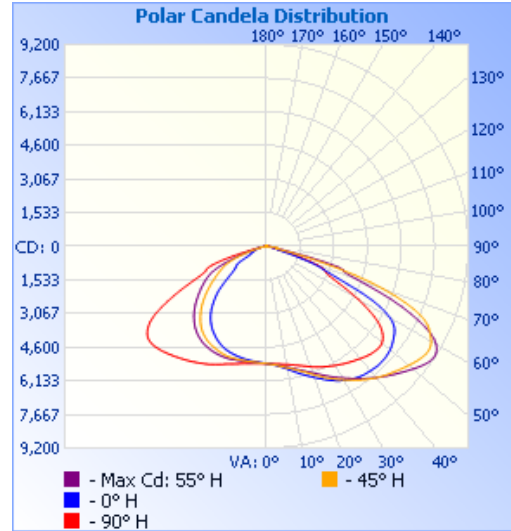
Name: _____ Date: _____

PHOTOMETRICS:

11303



11306



Illuminance at a Distance

	Center Beam fc	Beam Width	
4.3ft	575 fc	9.3 ft	14.1 ft
8.7ft	140 fc	18.8 ft	28.5 ft
13.0ft	62.9 fc	28.1 ft	42.6 ft
17.3ft	35.5 fc	37.4 ft	56.7 ft
21.7ft	22.6 fc	47.0 ft	71.2 ft
26.0ft	15.7 fc	56.3 ft	85.3 ft

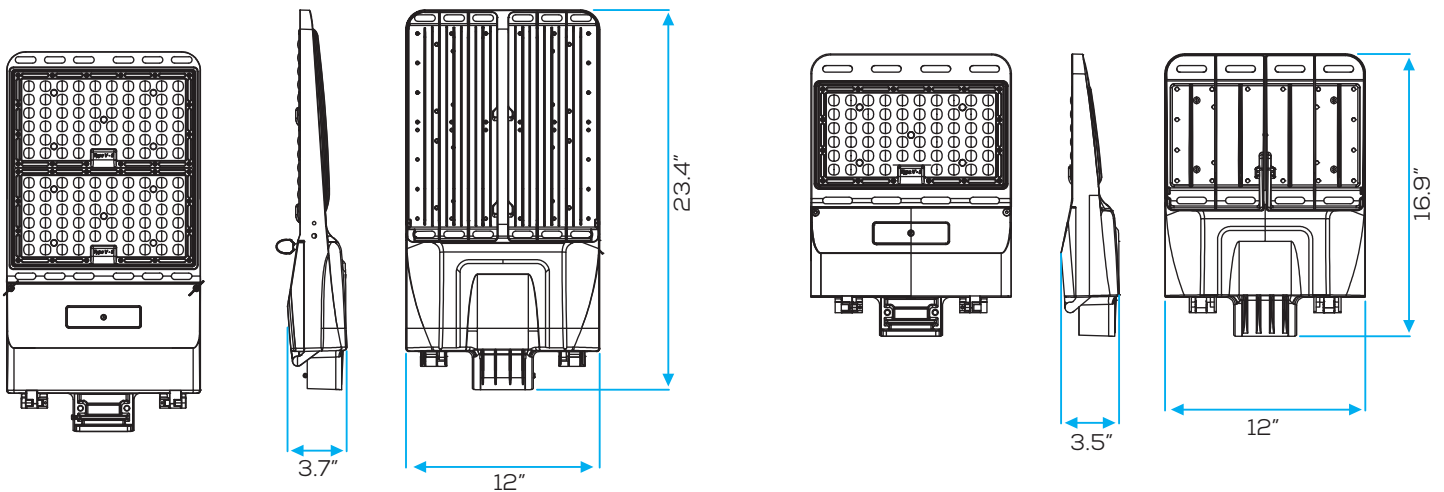
■ Vert. Spread: 94.5°
■ Horiz. Spread: 117.2°

Illuminance at a Distance

	Center Beam fc	Beam Width	
4.3ft	289 fc	9.3 ft	13.8 ft
8.7ft	70.6 fc	18.8 ft	28.0 ft
13.0ft	31.6 fc	28.0 ft	41.9 ft
17.3ft	17.8 fc	37.3 ft	55.7 ft
21.7ft	11.3 fc	46.8 ft	69.9 ft
26.0ft	7.90 fc	56.1 ft	83.7 ft

■ Vert. Spread: 94.3°
■ Horiz. Spread: 116.3°

DIMENSIONS:



PL2

SLIM SHOEBOX LIGHT

Project: _____ Type: _____

Name: _____ Date: _____

ORDER FORM:

(*) Special Order/Not Commonly Stocked

Custom Model Assembly

Fixture

PL2

CCT

5700K

Watts

150W
 300W

Beam Angle

Type 3

Voltage

100-277V

SES-PL2-300W-LS-5700K-T3170D
Example Model Number

SES — PL2 — 5700K — Type 3 — 100-277V

Quantity

Fixture

CCT

Watts

Beam Angle

Voltage

Common Stock Models:

Item #	Model #
11303	SES-PL2-300W-LS-5700K-T3170D
11306	SES-PL2-150W-LS-5700K-T3170D

Optional Accessories:

Item #	Model #	QTY
40456-B	SES-PL-LARGE-YOKE	
40456-D	SES-PL-SLIP-FITTER	