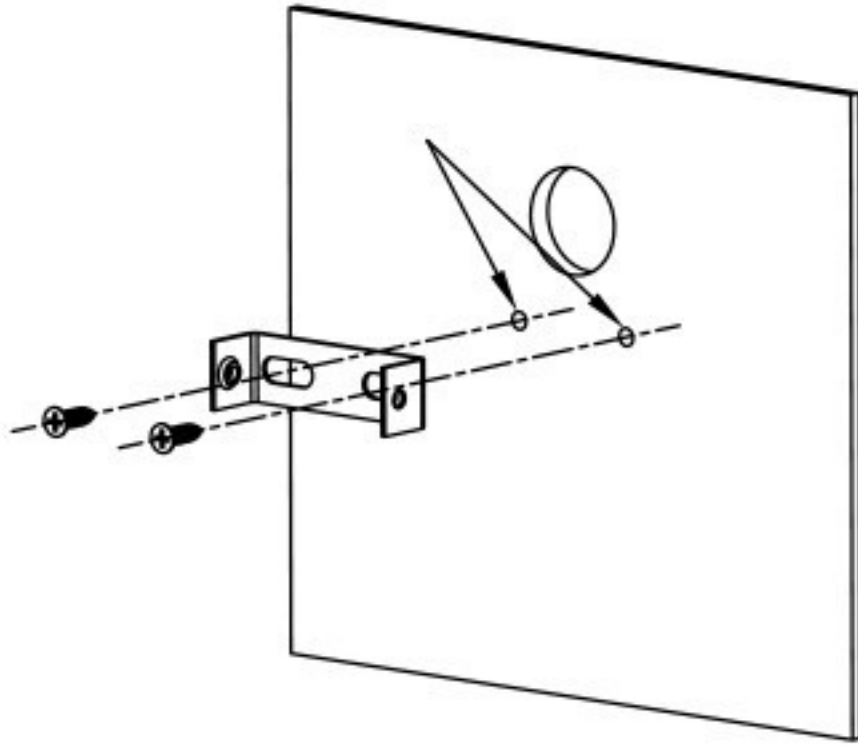
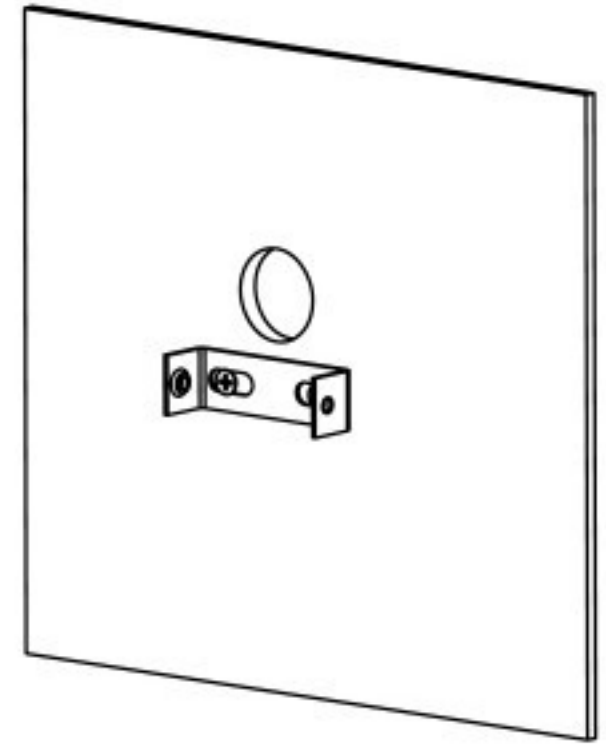


Installation steps

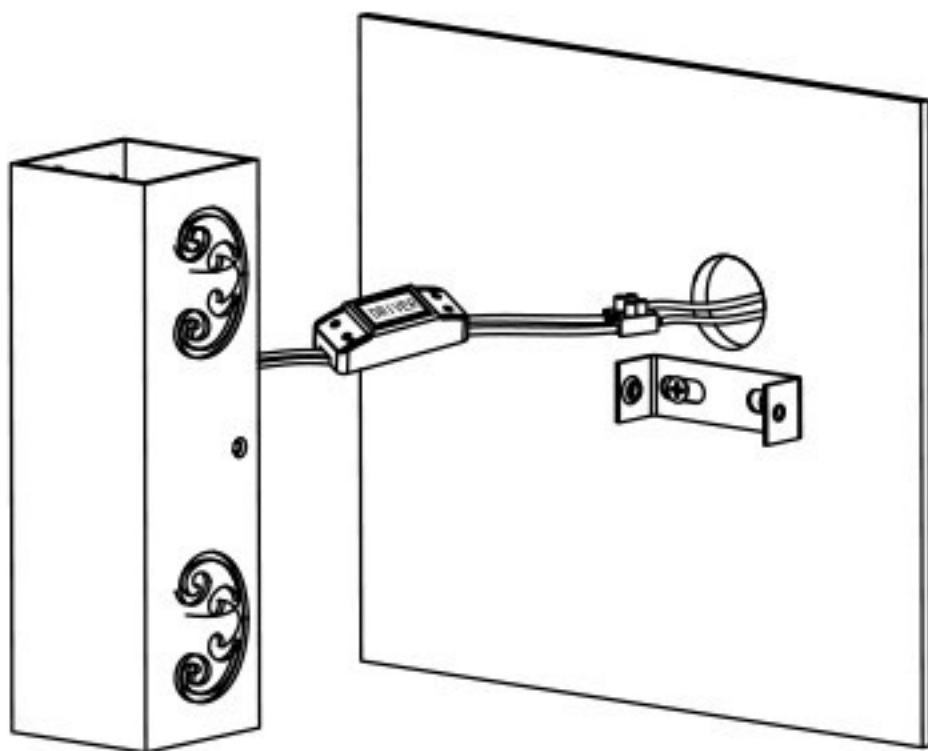
- ① Mounting holes drilled in the wall.



- ② The fixed hanging plate with screws.



- ③ Connect the power line.



- ④ Screwed lamp.

