

# INSTALLATION INSTRUCTION

**BEFORE YOU START, HERE IS SOME IMPORTANT INFORMATION.**


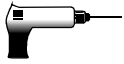

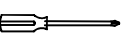


**⚠ DANGER:** Before installation, make sure the main power is cut off.

**⚠ WARNING:** Installation must be performed by a qualified licensed electrician.

## IMPORTANT

- This product contains glass parts. Take care while fitting or handling to prevent personal injury or damage to the product; If the glass is broken, please stop using it and replace it from agent or manufacturer.
- Ensure the mounting surface is dry and strong enough to bear four times the weight of the product for the safe fitting.
- Special care should be taken when drilling walls to avoid hidden pipes or electrical cables.
- The product covers the outlet box and the wirings after installation.

## TOOLS REQUIRED

Description	Parts Image	Description	Parts Image
Tape Measure		Drill	
Spirit Level		Cross Head Screwdriver	
Pencil		Hammer	

## MAINTENANCE

- Wipe clean with a soft, dry cloth. Never use abrasives or chemical cleaners.
- Please put a soft cushion under the mirror while you take the mirror down from the wall.

## INSTALLATION STEPS

### STEP 1

CUT OFF THE MAIN POWER SUPPLY.

### STEP 2

Place the metal 'Z' bar against the wall and mark the suitable position of the screw holes ensuring it is level.

### STEP 3

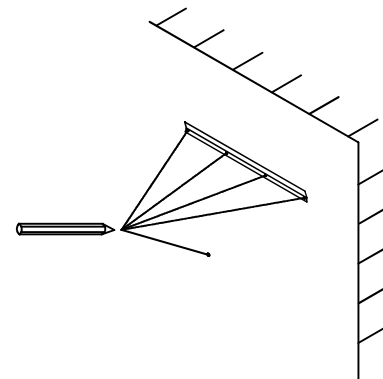
Drill the holes and put in the wall plugs for 'Z' bar.

### STEP 4

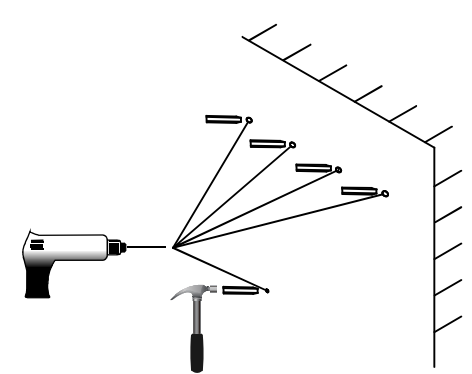
Screw the metal 'Z' bar onto the wall with the mounting screws supplied.

### STEP 5

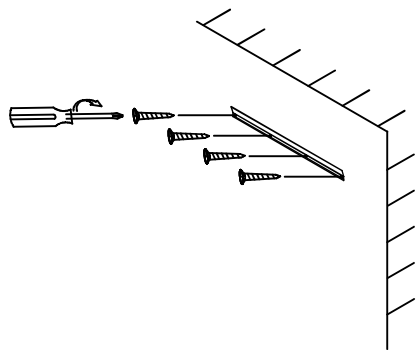
Place the mirror on a proper position so that the wires can access to the main power supply.



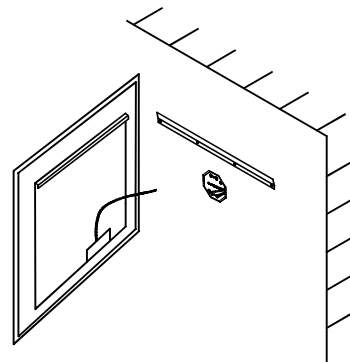
**STEP 2**



**STEP 3**



**STEP 4**



**STEP 5**

**STEP 6**

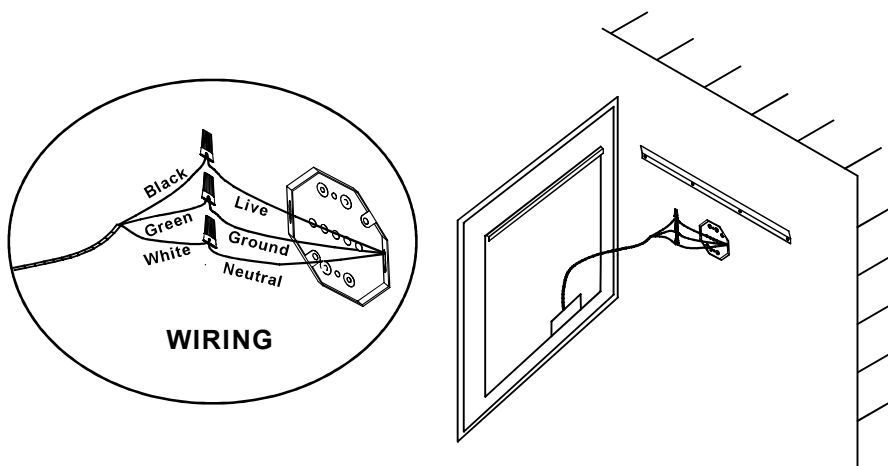
Connect the wires of mirror with the main power by the wire connectors.

BLACK WIRE --- POWER SUPPLY L (LIVE)

WHITE WIRE --- POWER SUPPLY N (NEUTRAL)

GREEN WIRE --- POWER SUPPLY E (EARTH)

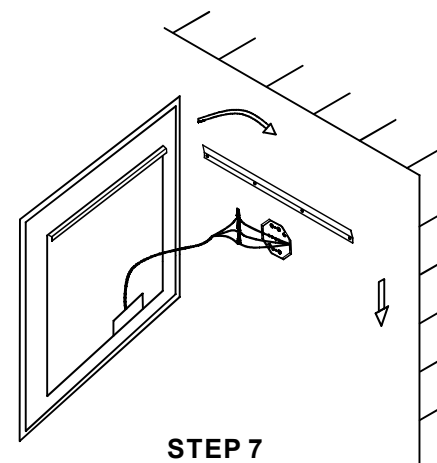
**WARNING:** This mirror must be earthed.



**STEP 6**

**STEP 7**

Hang the mirror onto the 'Z' bar until they are completely stuck.



**STEP 7**

**MANUAL TO LED MIRROR WITH TOUCH SENSOR**

● **Mirror with Dimming, CCT Changing and Anti-fog**

Please follow the below steps to achieve the functions.

1. Switch on Light and Defogger by short-touching the button.
2. Adjusting color temperatures (CCT) between warm white and cool white by long-touching the button.
3. Adjusting the brightness (Dimming) by long-touching the button.
4. Repeat Point 2 and 3 by long-touching the button again.
5. Switch off Light and Defogger by short-touching the button.